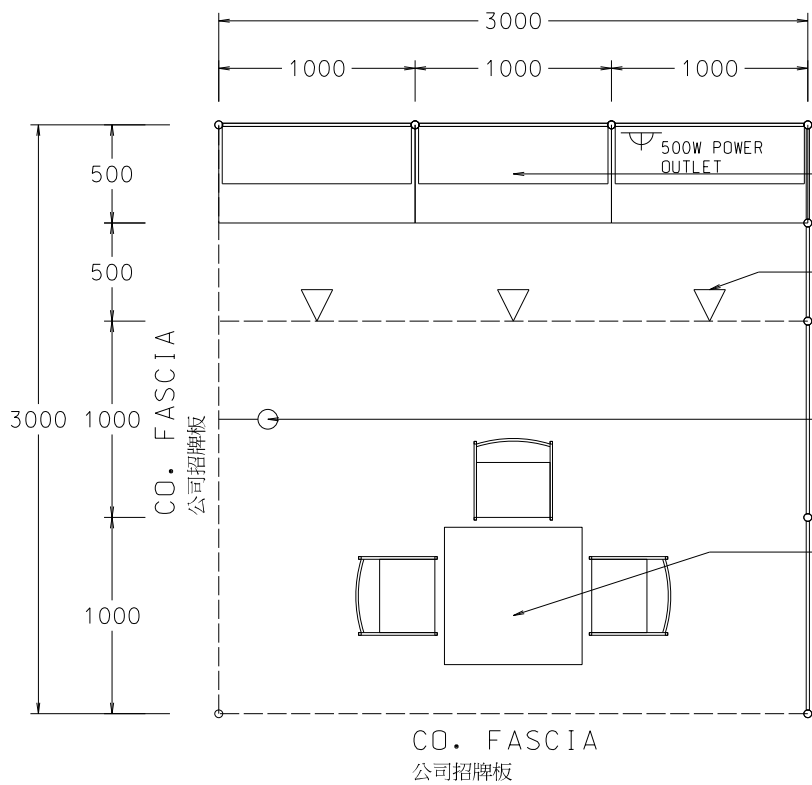


Hong Kong International Medical and Healthcare Fair

香港國際醫療及保健展

3M x 3M Left Corner Booth B (with socket)

三米乘三米左邊角位攤位 B (附設插座)



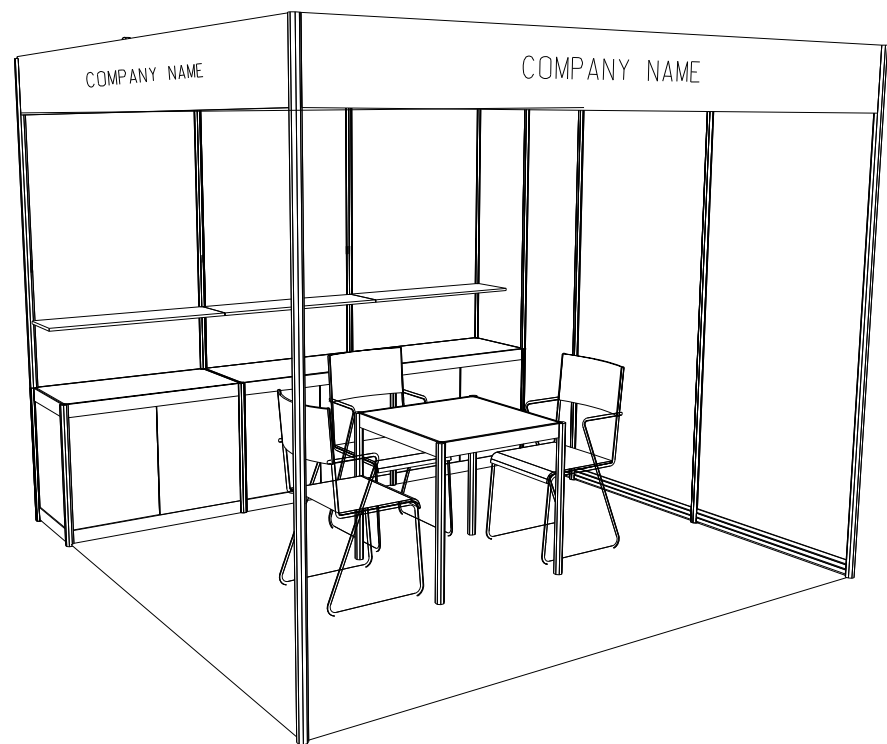
PLAN
平面圖

3M CABINET W/.1 LAYER OF 3M WOODEN DISPLAY SHELF
三米儲物櫃連一層三米層板

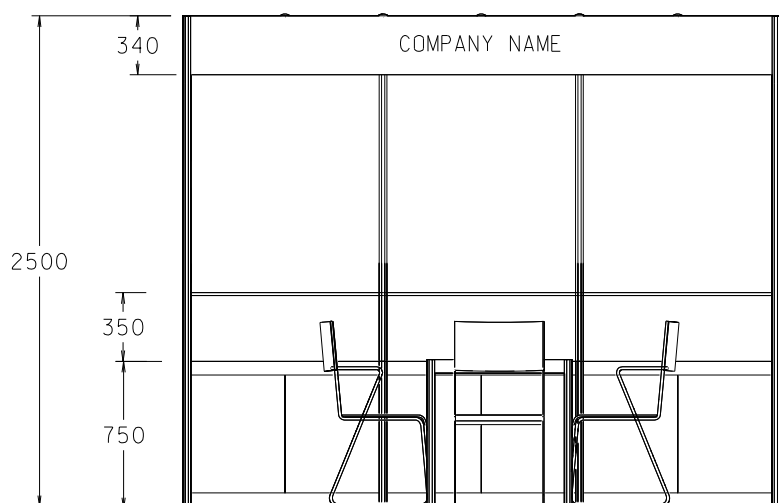
SPOTLIGHT 13 WATT LED LAMP (YELLOW LIGHT)
短臂射燈 (13瓦特LED燈膽)(黃光)

LONG ARMED SPOTLIGHT (300MM) 13 WATT LED LAMP (YELLOW LIGHT)
長臂射燈 (約長300mm) (13瓦特LED燈膽)(黃光)

700WX700DX750H MEETING TABLE W/. 3 CHAIRS
正方檯連同椅子



PERSPECTIVE
透視圖



ELEVATION
正面圖

BOOTH SPECIFICATIONS		QTY.
	1000W x 500D x 750H LOCKABLE CABINET 有鎖地櫃	3
	3000W x 300D WOODEN DISPLAY SHELF 陳列架	1
	13W LED LAMP SPOTLIGHT (YELLOW LIGHT) 13瓦特LED燈膽短臂射燈 (黃光)	3
	13W LED LAMP LONGARMED SPOTLIGHT (300MM) (YELLOW LIGHT) 13瓦特LED燈膽長臂射燈 (約長300mm)(黃光)	1
	500W SOCKET 500瓦特插座	1
	700W x 700D x 750H MEETING TABLE 正方檯	1
	BLACK LEATHER CHAIR 椅子	3
	CEILING BEAM 天花橫樑	3M
	RUBBISH BIN & CARPET (9sqm.) 垃圾桶 & 地毯	